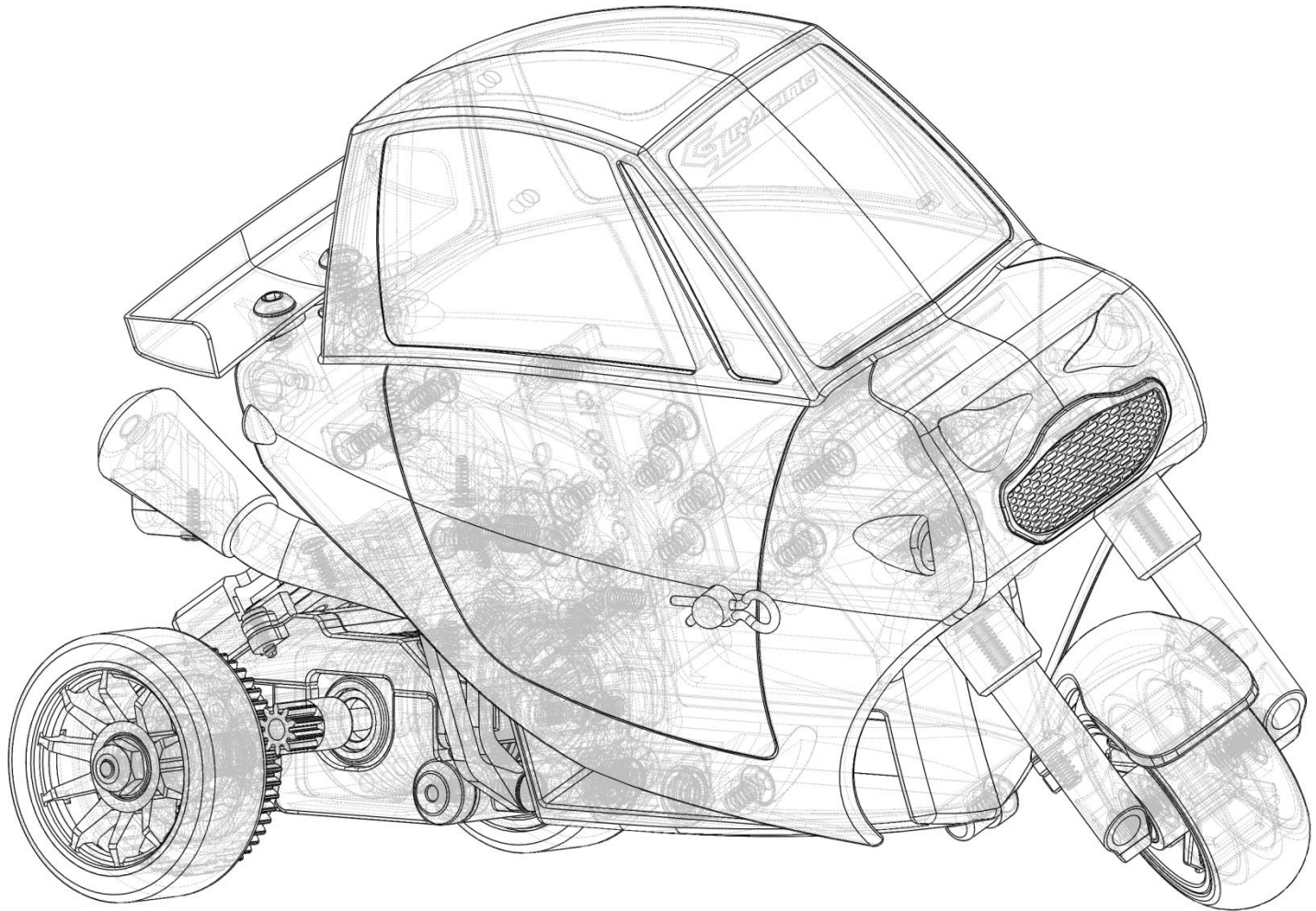
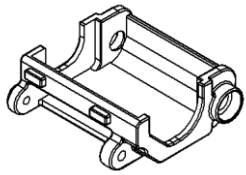


GL-Rider Assembly Guide

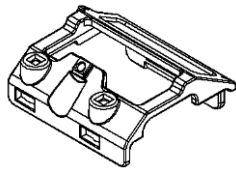
www.gl-racing.com



Pack A



A-1



A-2



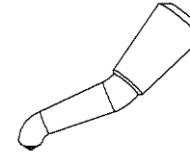
A-3



A-4



A-5



A-6



A-7



A-8



A-9



A-10



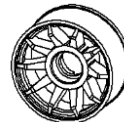
A-11



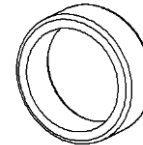
A-12



A-13



A-14



A-15



A-16

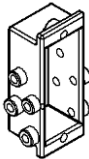


A-17



A-18

Pack B



B-1



B-2



B-3



B-4



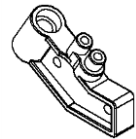
B-5



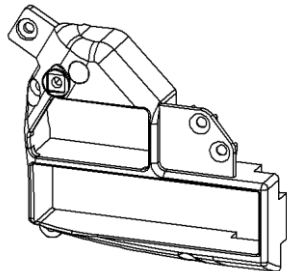
B-6



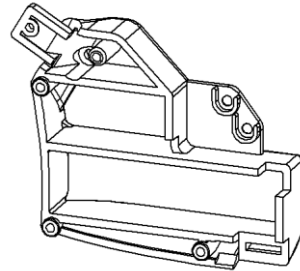
B-7



B-8



B-9

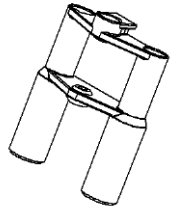


B-10



B-11

Pack C



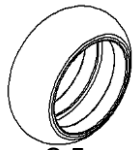
C-1



C-4

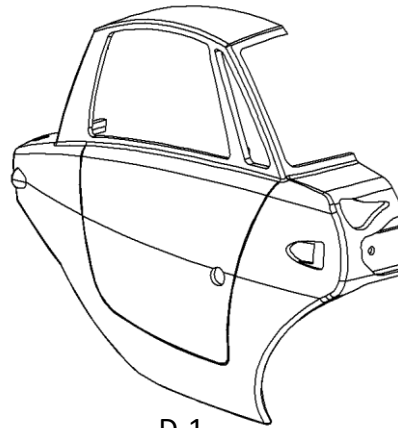


C-3

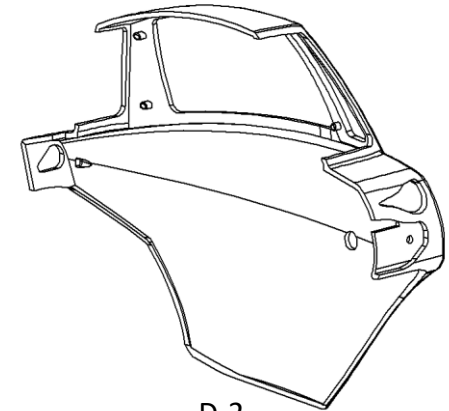


C-5

Pack D



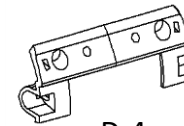
D-1



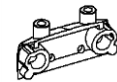
D-2



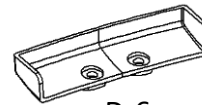
D-3



D-4



D-5



D-6



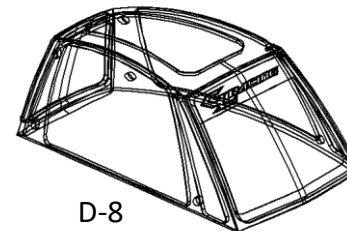
D-7



D-9



D-10



D-8



D-11



D-12



D-13

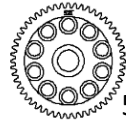


D-14

Pack E



E-1



E-2

53T



E-3



E-4



E-5



x2
E-6

o x10
(Ø2.381 Ball)
E-7

(Ø 8x2mm
O Ring)
E-8



E-9

(Ø1.5x6mm Pin)
E-10



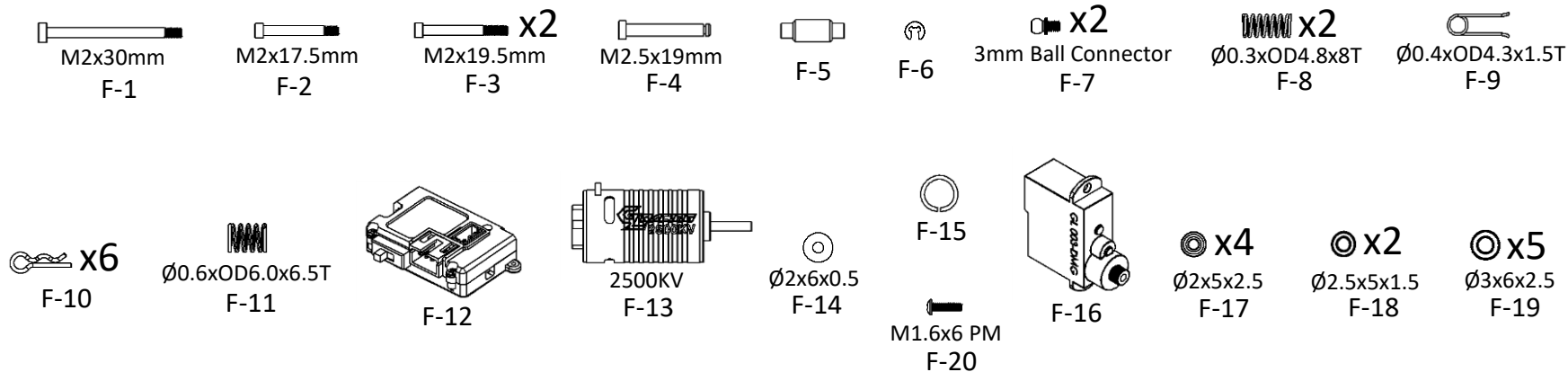
E-11

M3x3 Grub
E-12

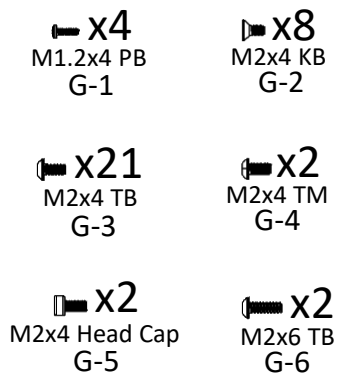


Ø3x6x2.5
E-13

Pack F



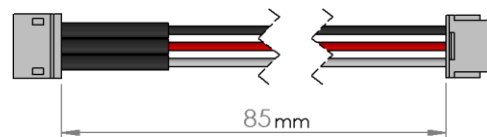
Pack G



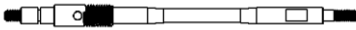
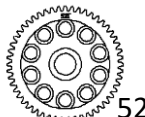




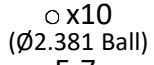




Decal



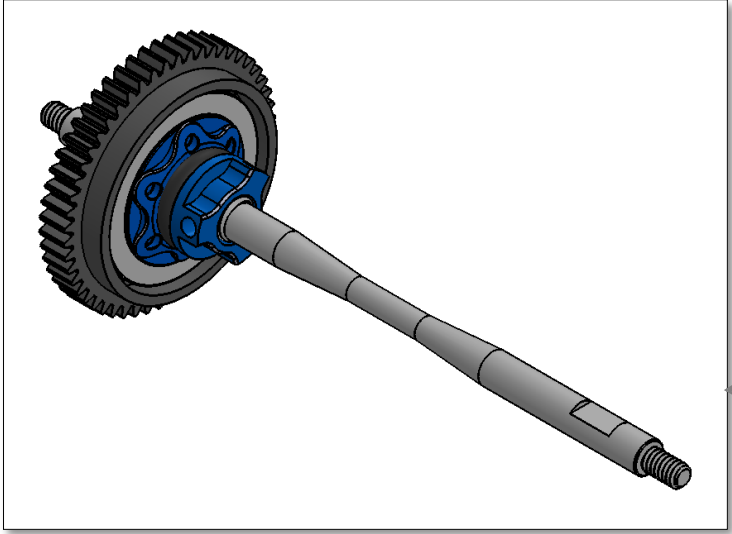
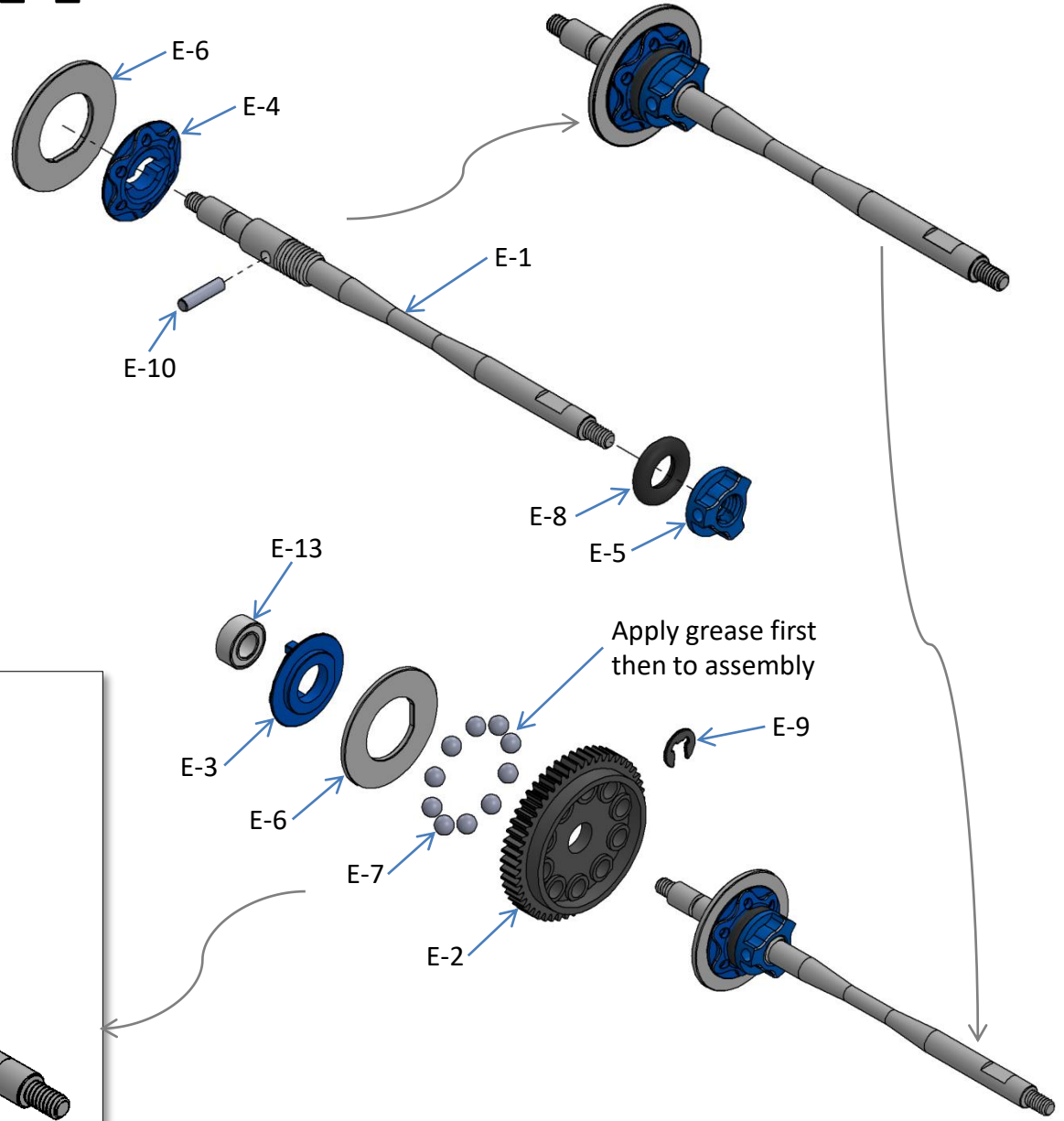
ESC Extension Cable



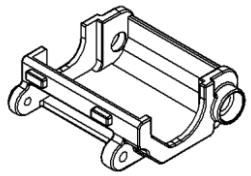
1

-  E-1
-  52T
E-2
-  E-3
-  E-4
-  E-5
-  x2
E-6
-  x10
(Ø2.381 Ball)
E-7
-  (Ø 8x2mm O Ring)
E-8
-  E-9
-  (Ø1.5x6mm Pin)
E-10
-  Ø3x6x2.5
E-13

1-1



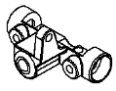
2



A-1



A-8



A-3



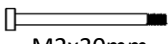
A-4



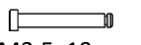
A-9



10T
A-11



M2x30mm
F-1



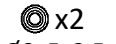
M2.5x19mm
F-4



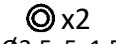
F-13



F-6

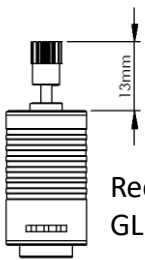


⊙ x2
Ø2x5x2.5
F-17



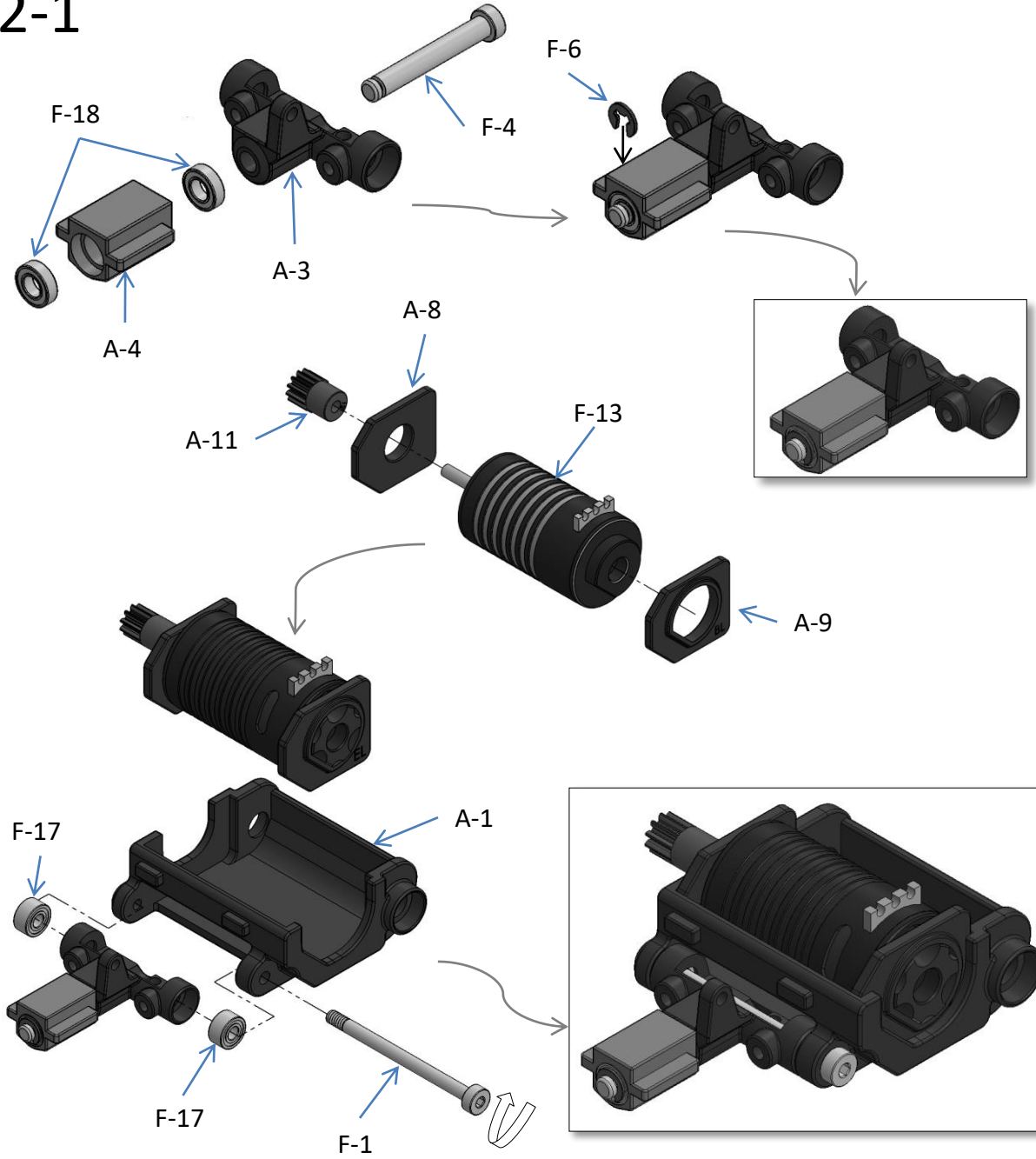
⊙ x2
Ø2.5x5x1.5
F-18

Attention

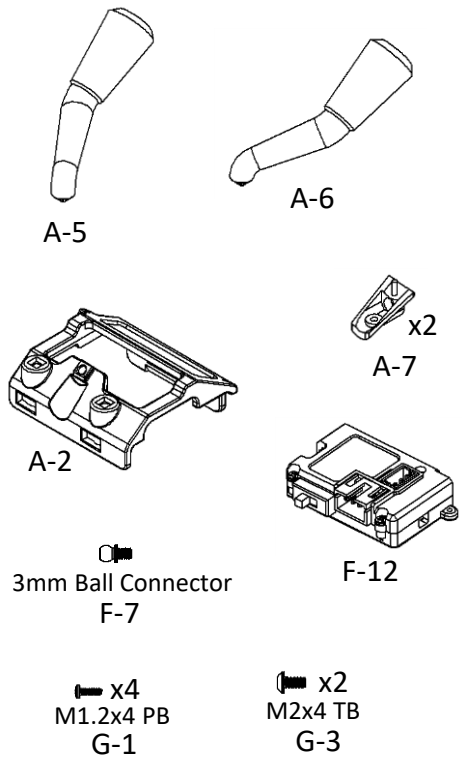


Recommended
GL 2500KV Motor

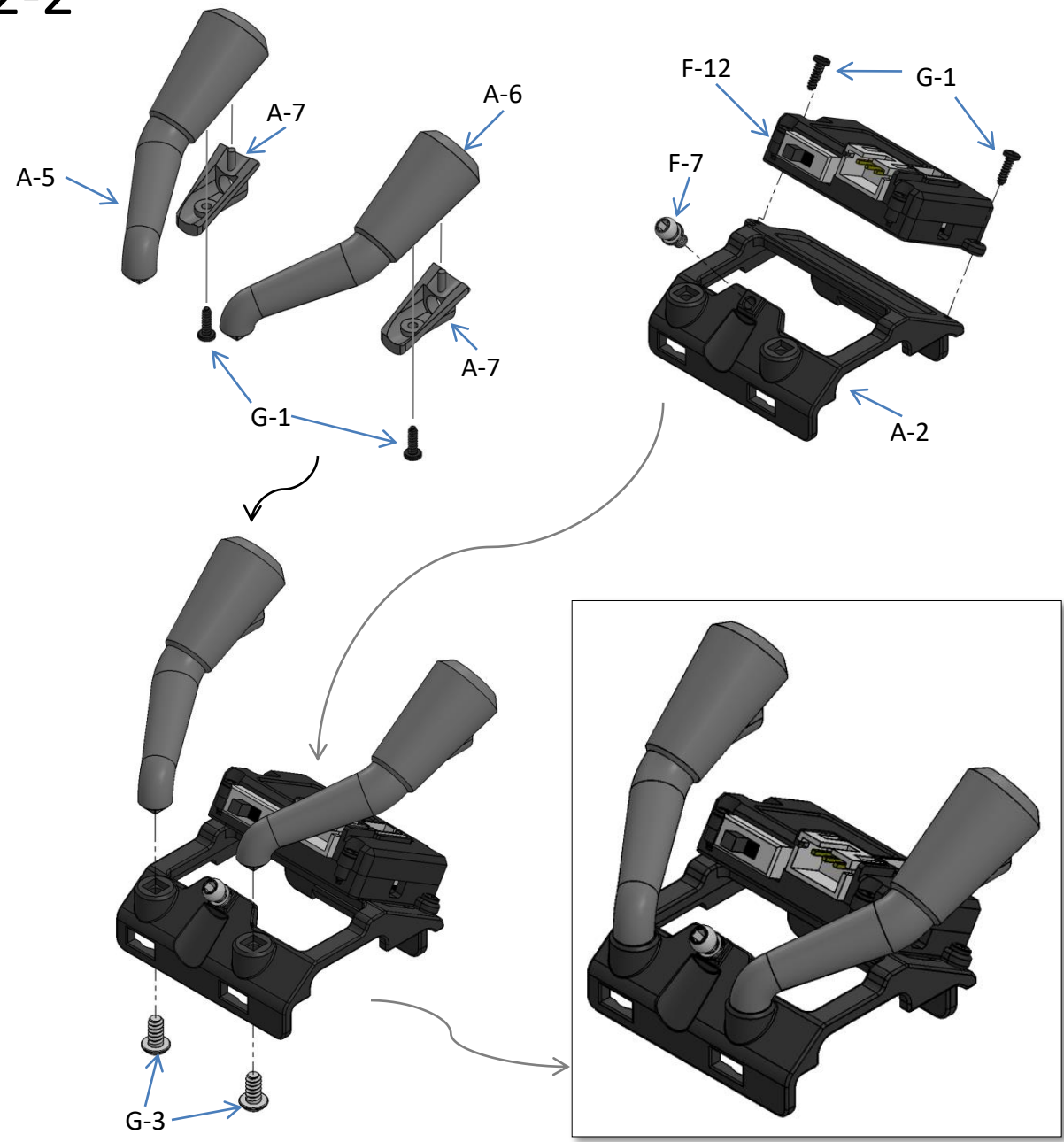
2-1



3



2-2



4

2-3



A-12



A-13



Ø0.6xOD6.0x6.5T
F-11



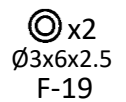
A-18



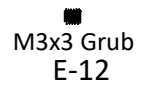
E-11



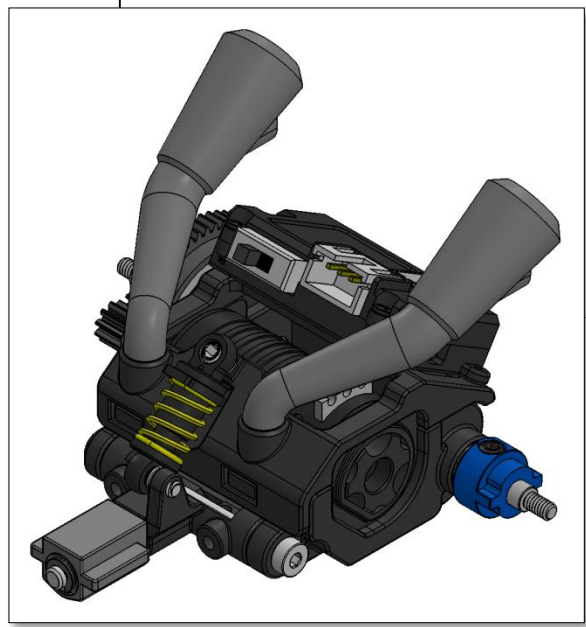
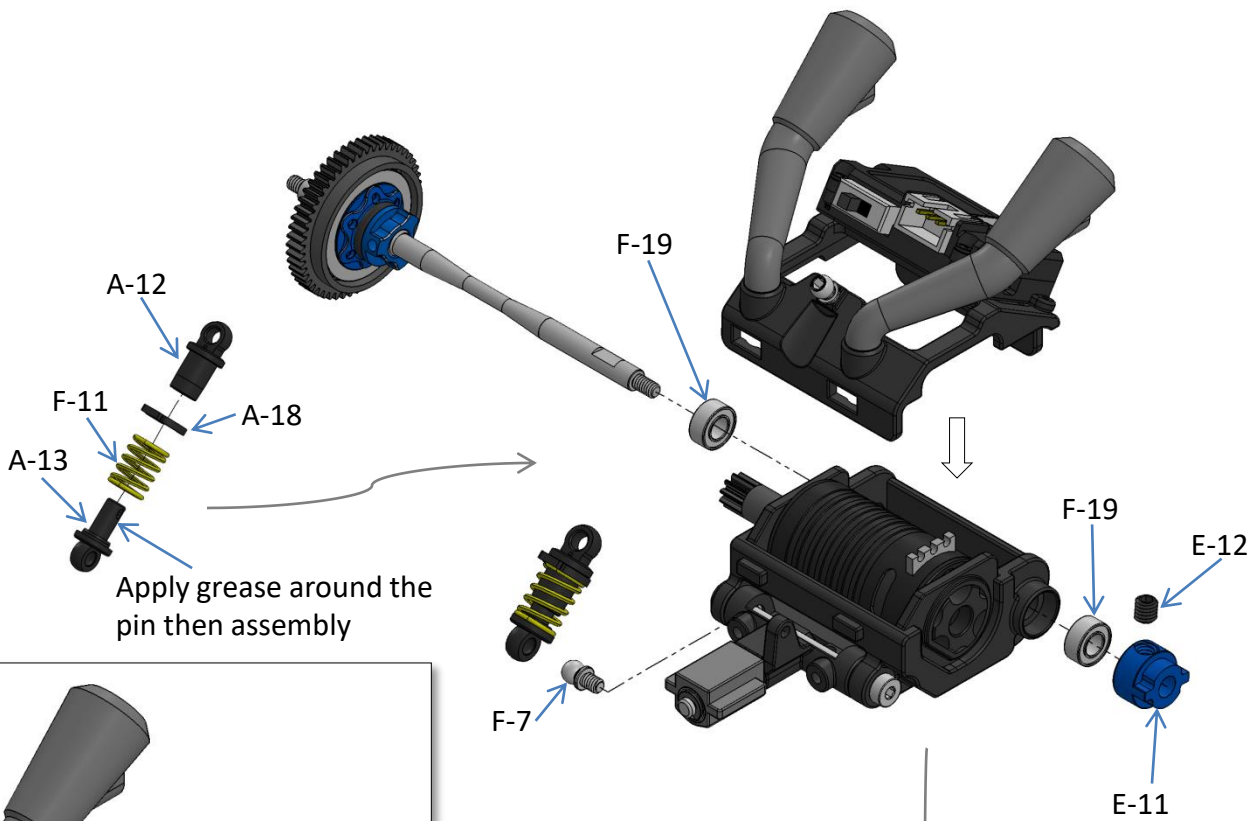
3mm Ball Connector
F-7



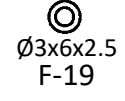
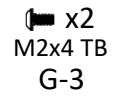
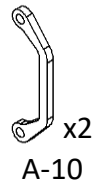
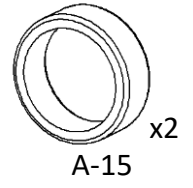
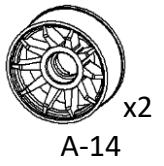
⊙x2
Ø3x6x2.5
F-19



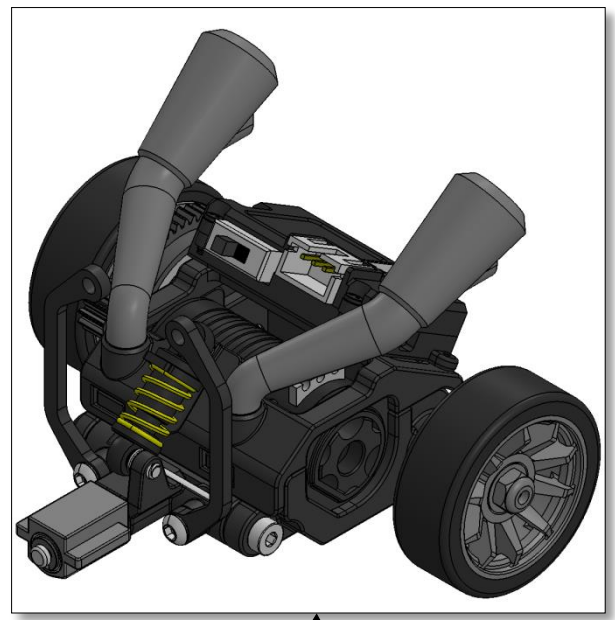
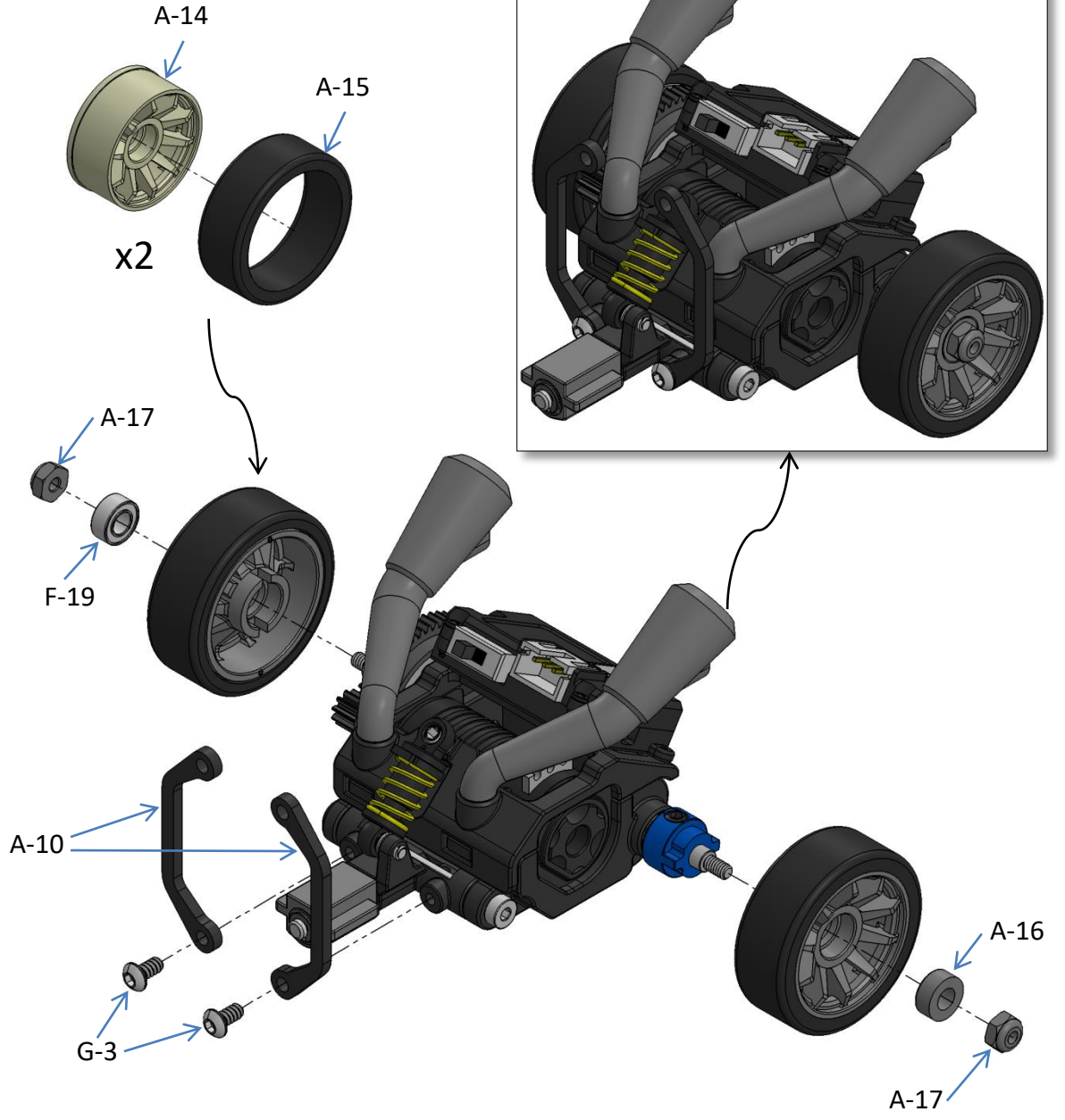
M3x3 Grub
E-12



5



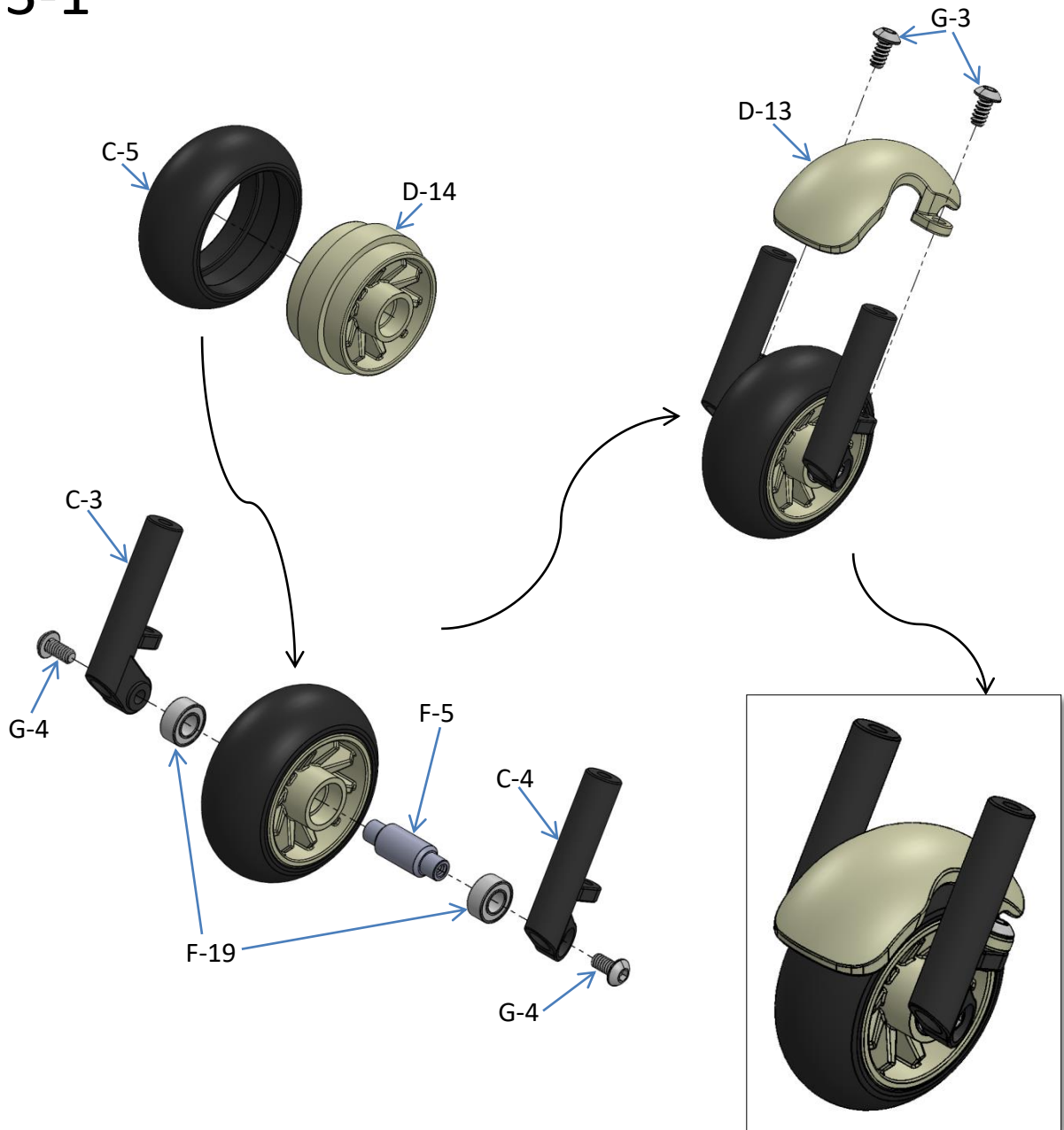
2-4



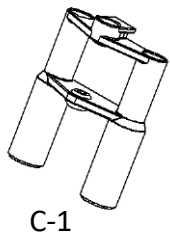
6

3-1

- D-13
- C-3
- C-4
- C-5
- D-14
- F-5
- ⊙ x2
Ø3x6x2.5
F-19
- ⌘ x2
M2x4 TM
G-4
- ⌘ x2
M2x4 TB
G-3



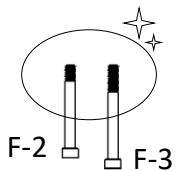
7



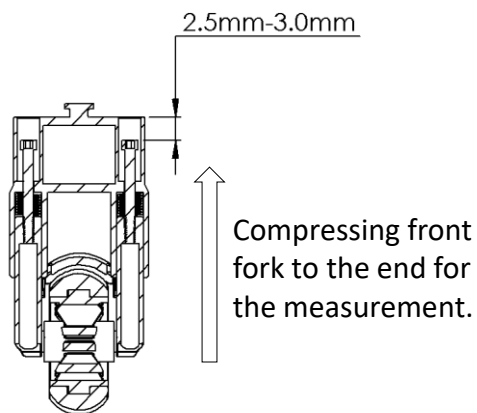
x2
M2x19.5mm
F-3

x2
Ø0.3xOD4.8x8T
F-8

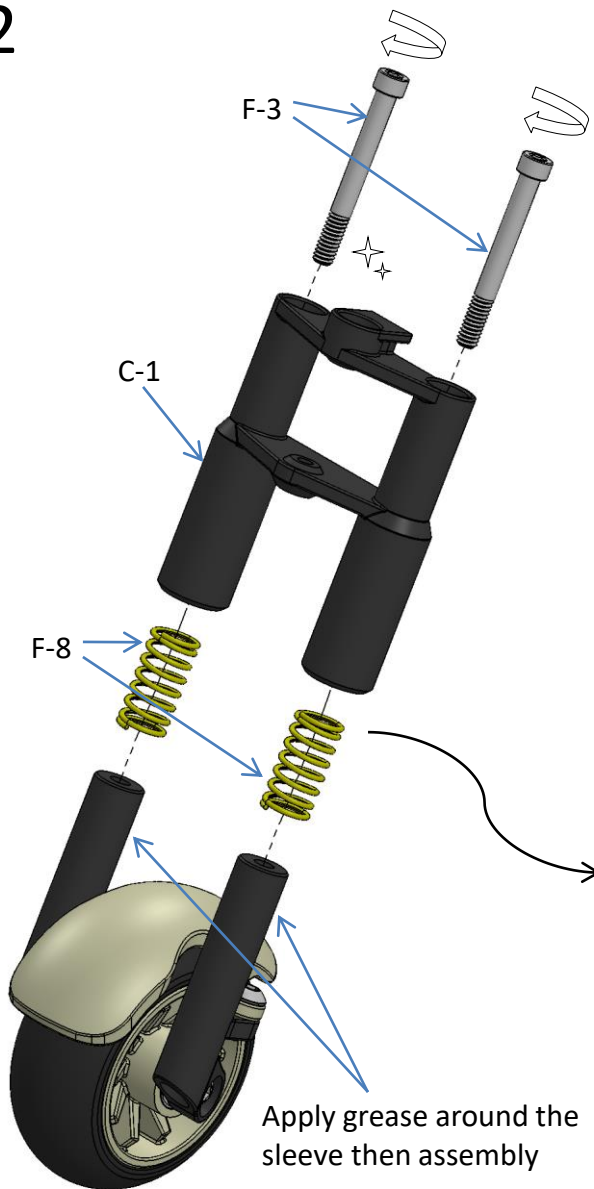
Attention



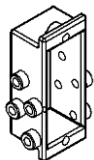
F-2 F-3



3-2



4-1



B-1



B-2



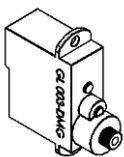
B-3



B-4



B-5



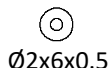
F-16



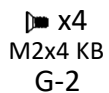
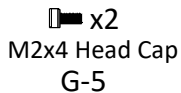
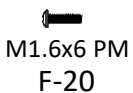
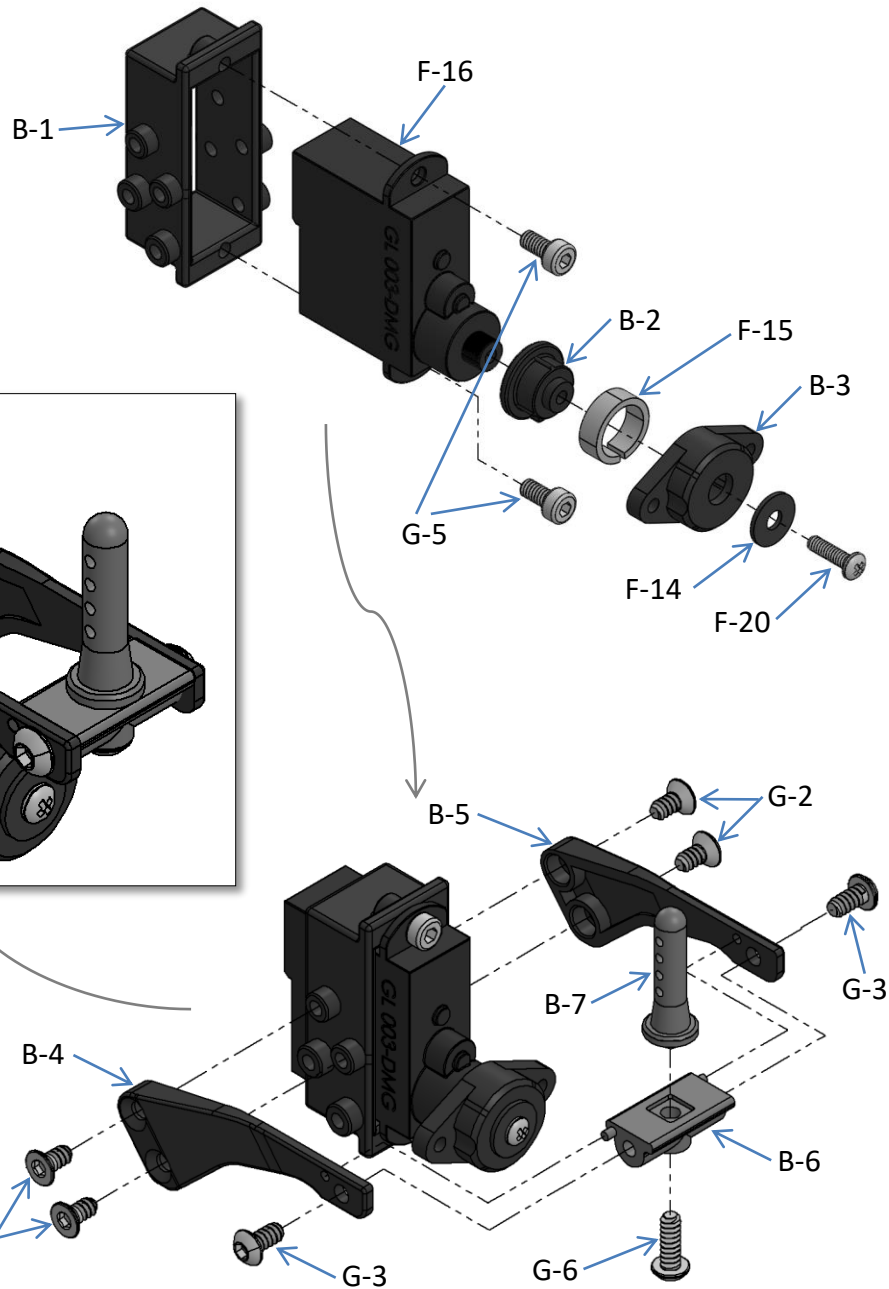
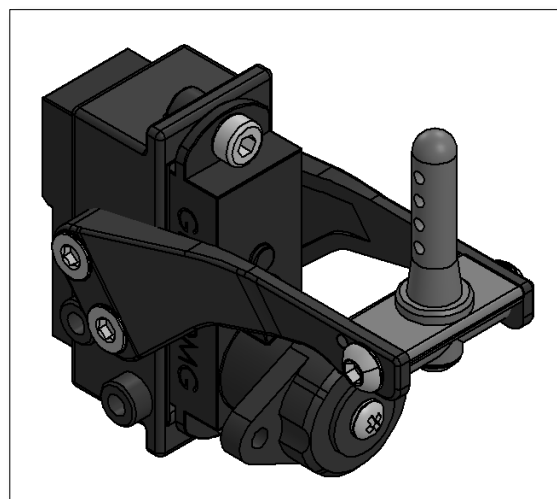
B-6



B-7

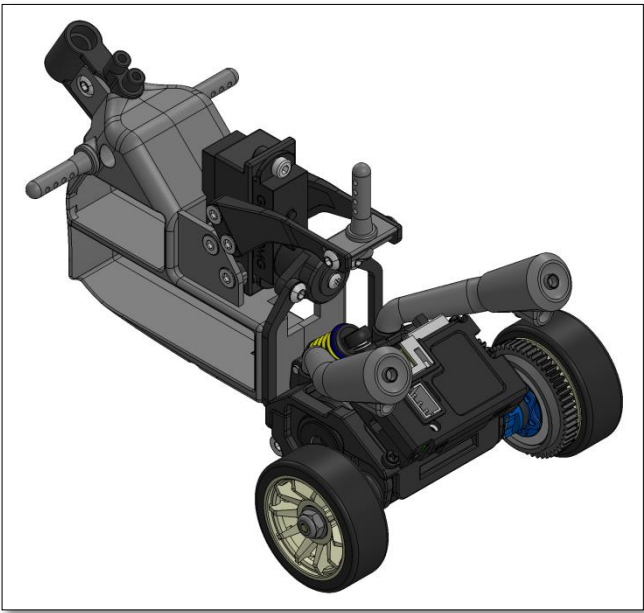
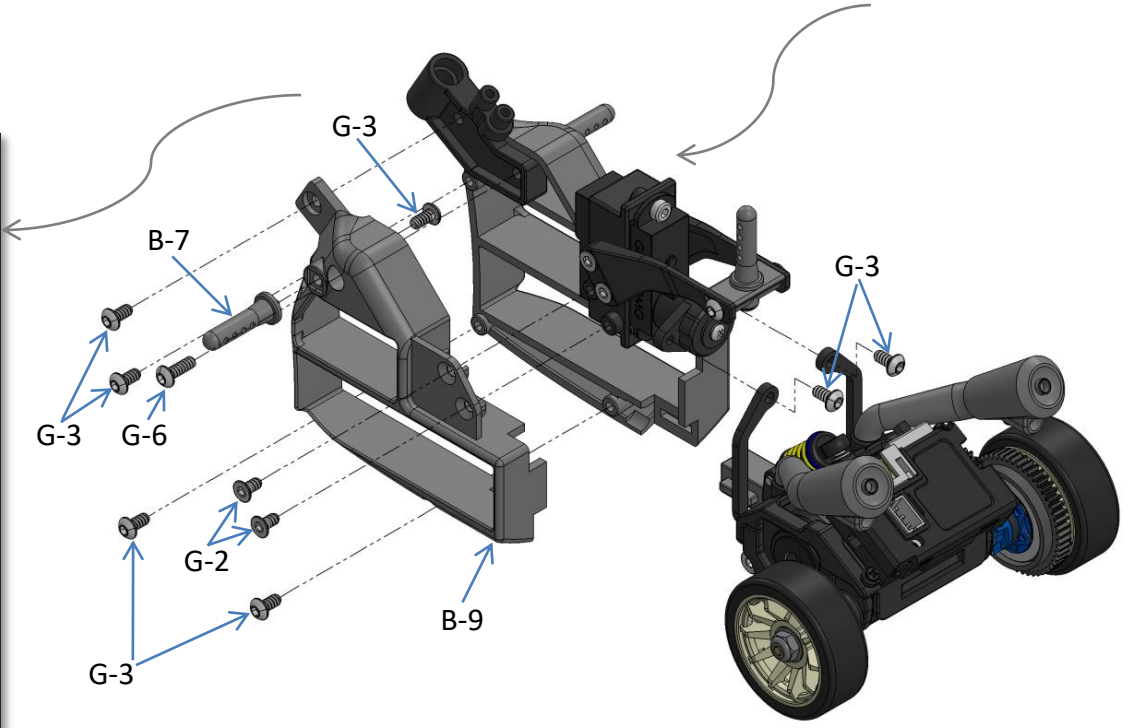
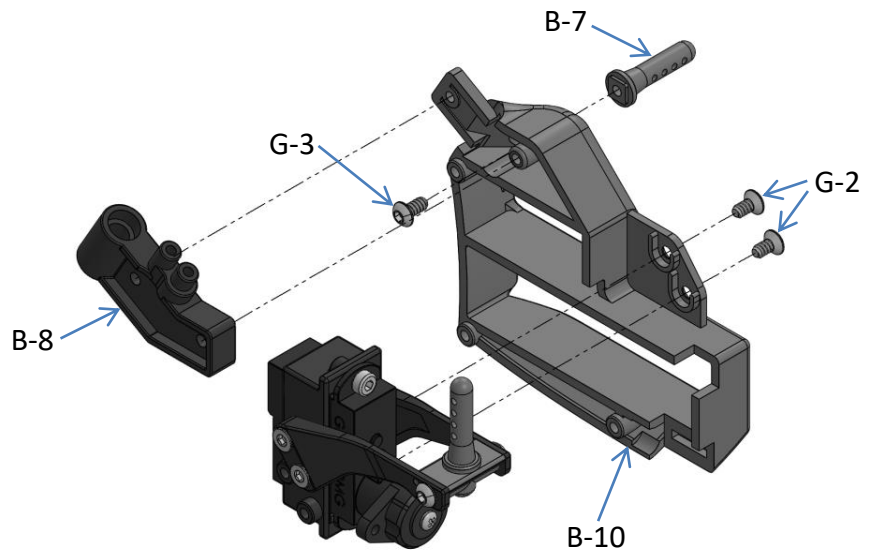
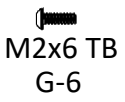
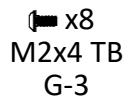
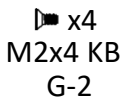
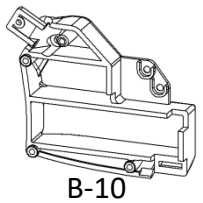
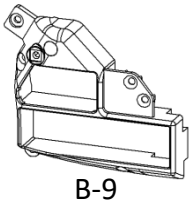
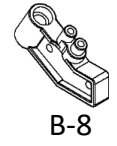
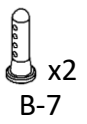
Ø2x6x0.5
F-14

F-15

x4
M2x4 KB
G-2x2
M2x4 TB
G-3x2
M2x4 Head Cap
G-5M2x6 TB
G-6M1.6x6 PM
F-20

9

4-2



10

4-3

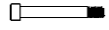


B-11

⊙ x2
∅2x5x2.5
F-17



M2x4 TB
G-3

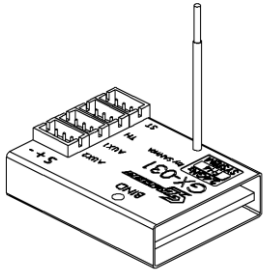


M2x17.5mm
F-2

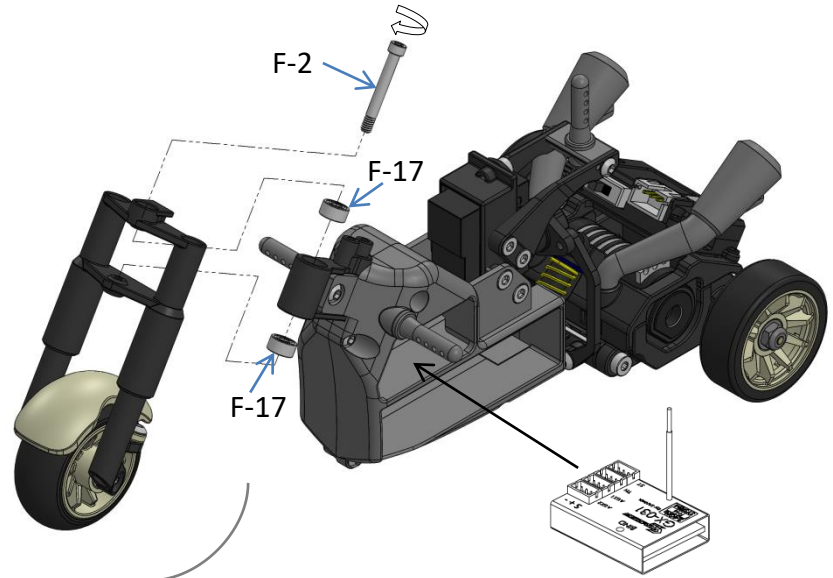


∅0.4xOD4.3x1.5T
F-9

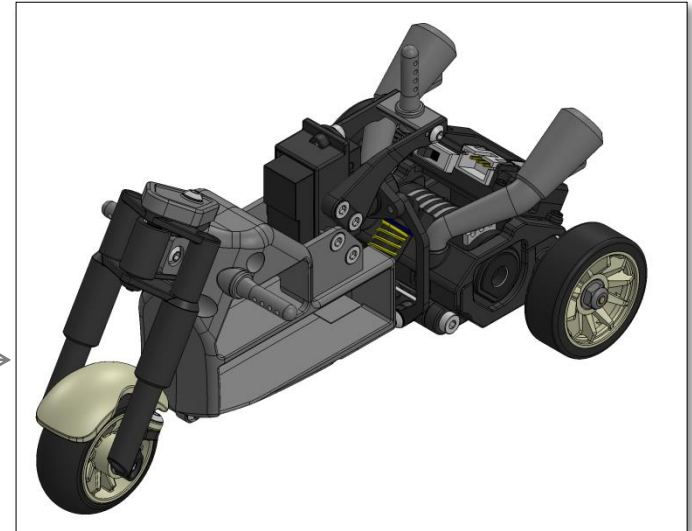
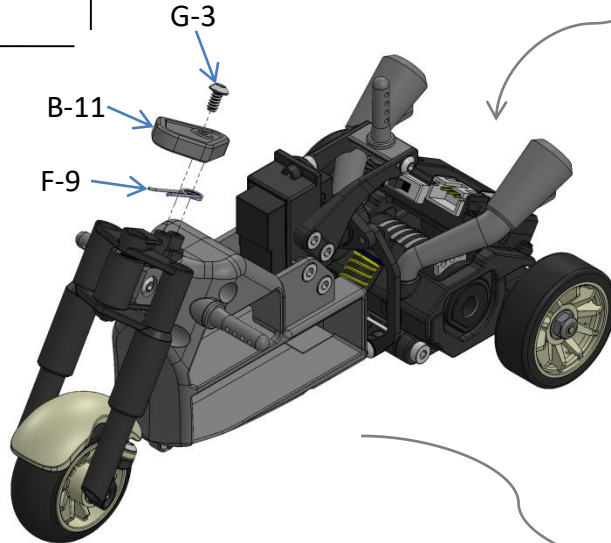
Attention



Recommended RX receiver GX-031 sale separated (Sanwa TX compatible)

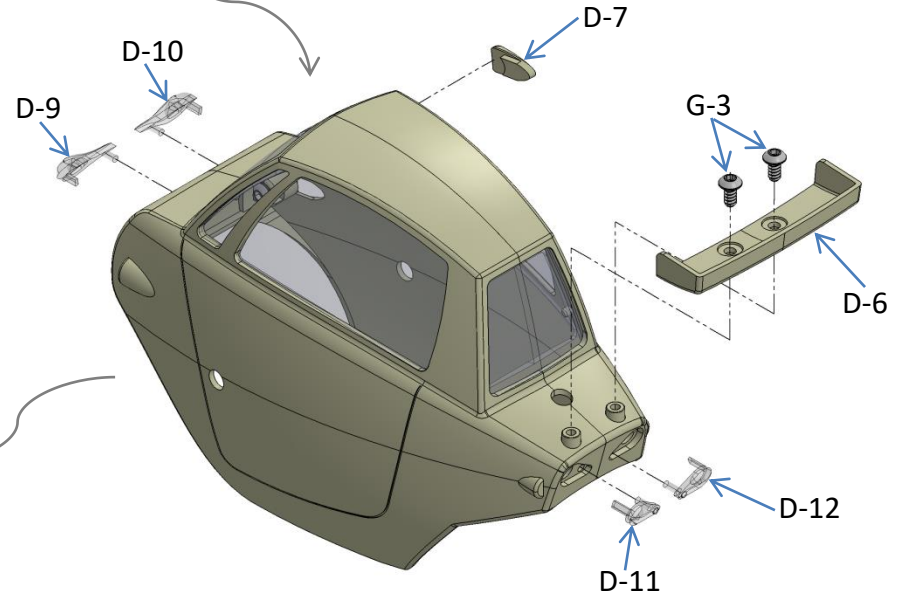
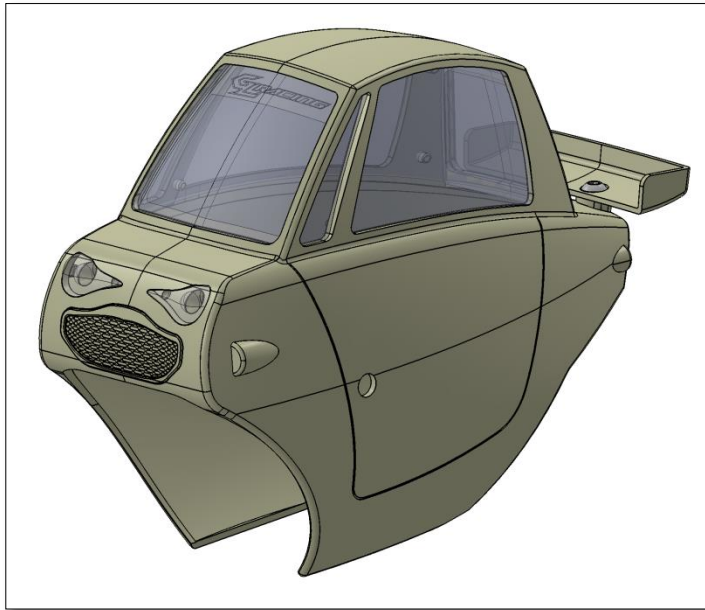
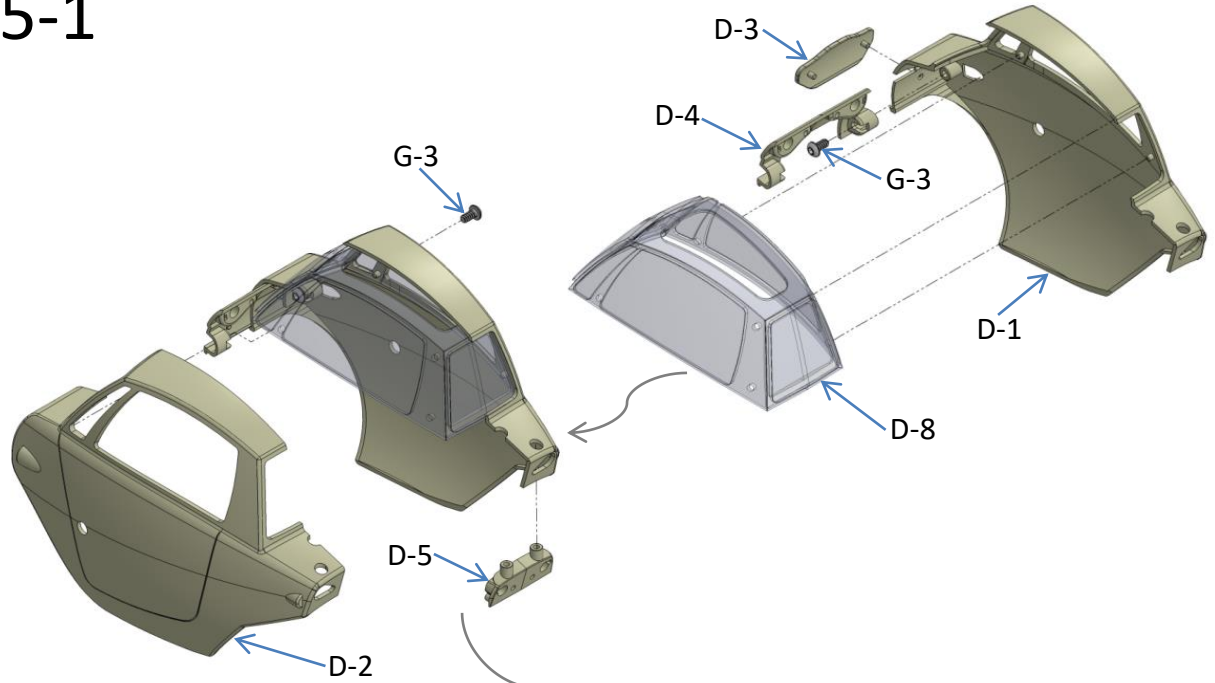
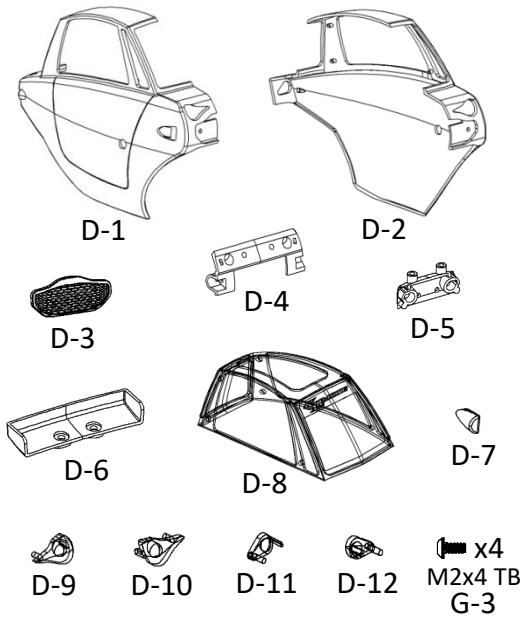


Product Code: GX-031



11

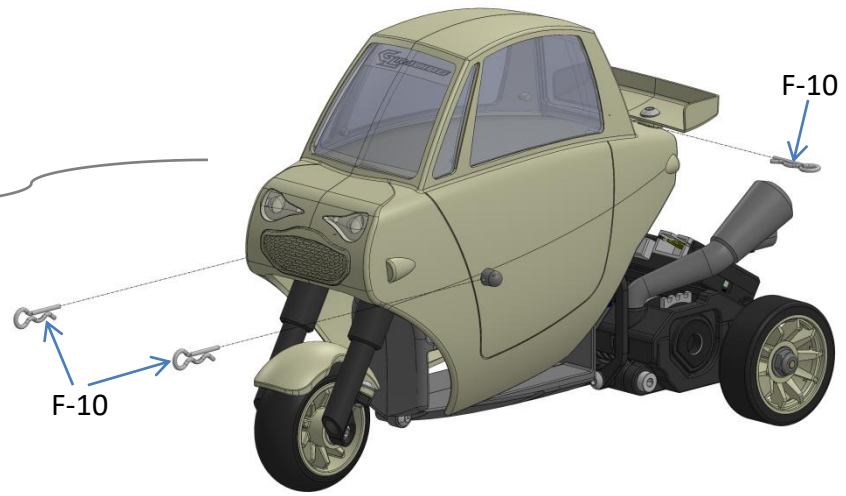
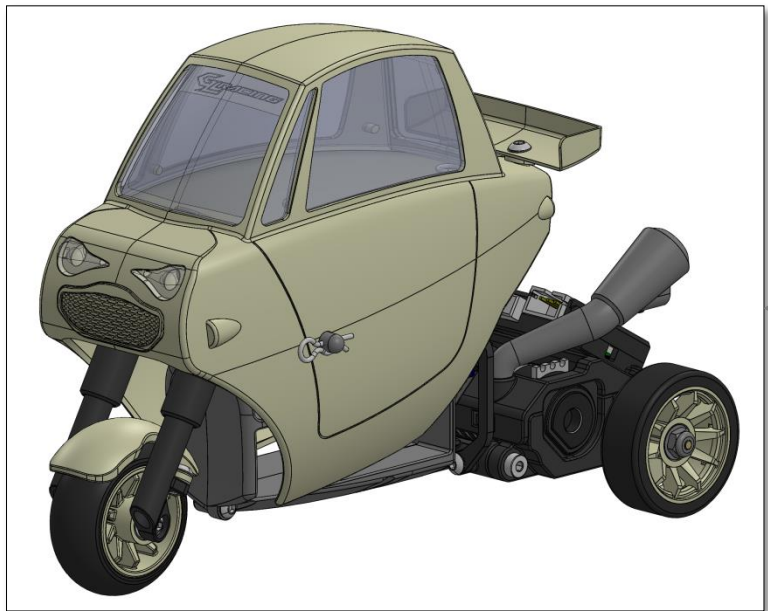
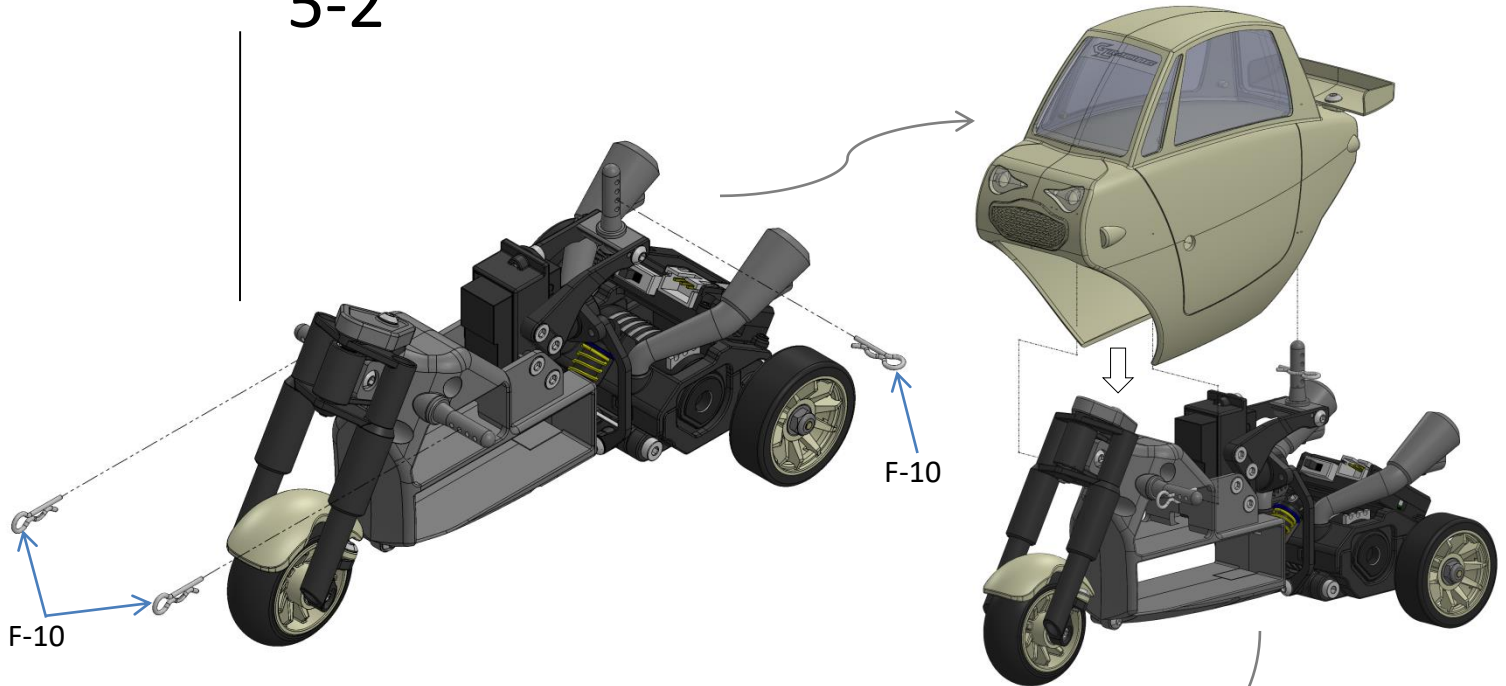
5-1



12

5-2

x6
F-10



Thank you for your purchasing GL Rider
Hope you enjoy it.

