

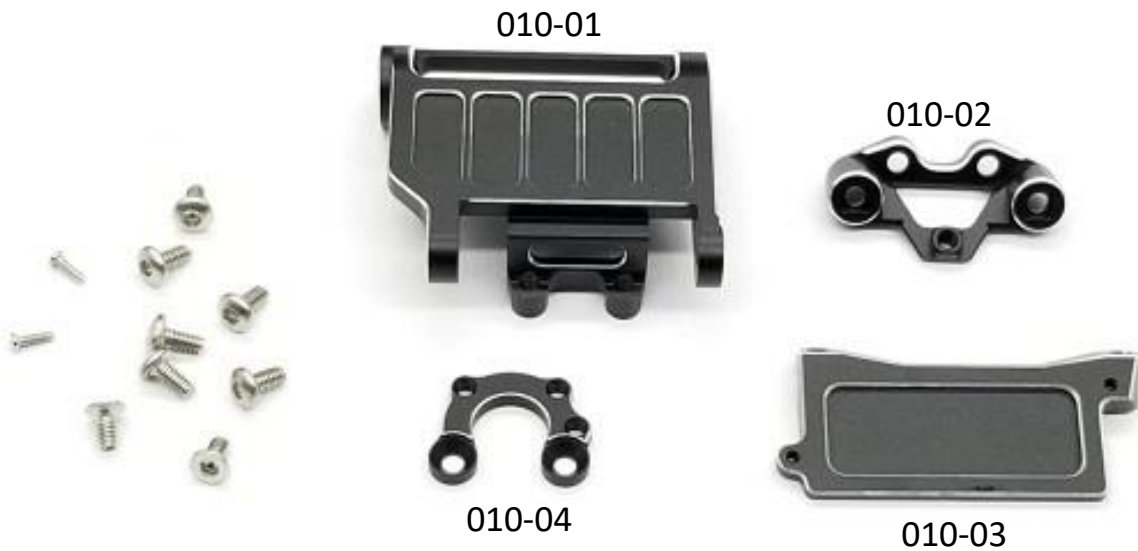
GL Rider Aluminum Motor Mount

June-2019

GL-Rider-010 Assembly Guide

Thank you for purchased the option parts for GL Rider. Hope you enjoy it.

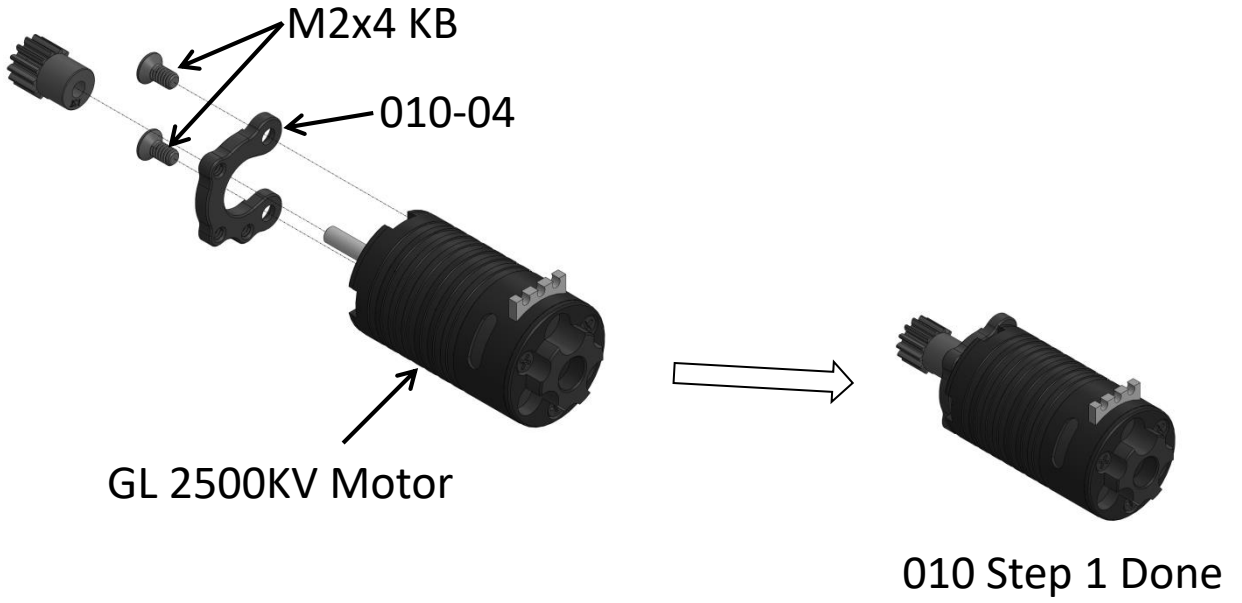
What's in the bag?



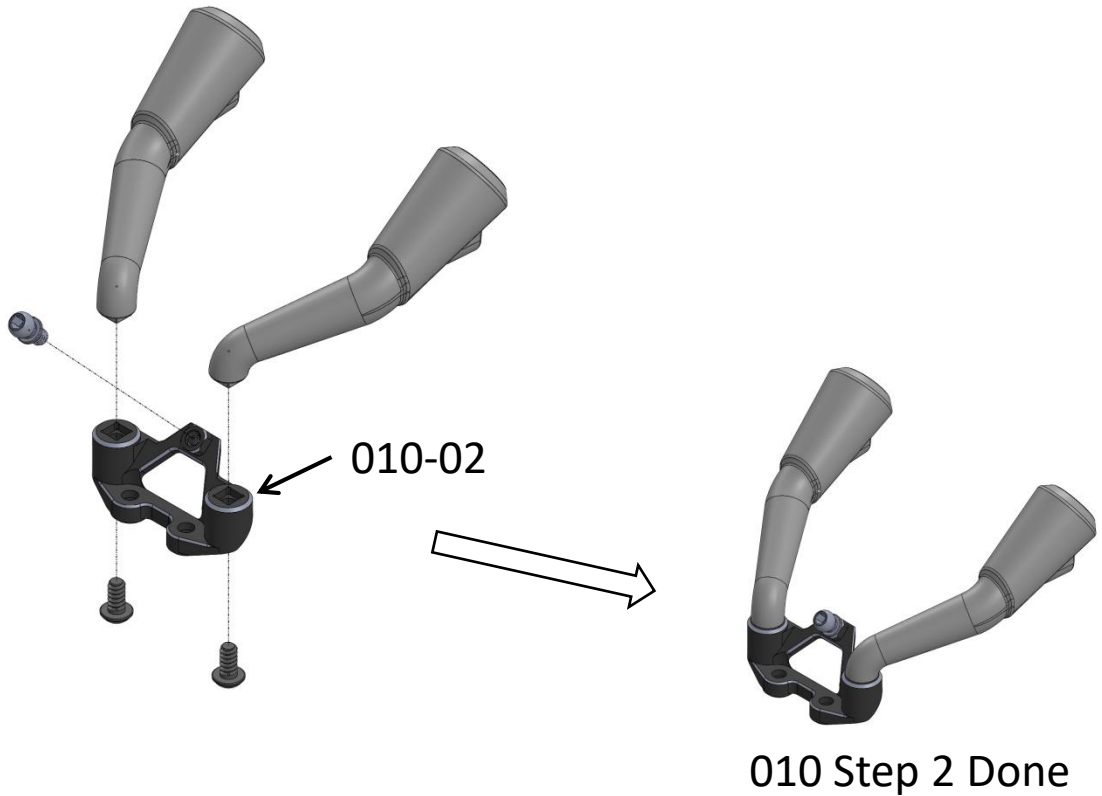
GL-Rider-010 Part List

1, GL-Rider-010-01	x1pc
2, GL-Rider-010-02	x1pc
3, GL-Rider-010-03	x1pc
4, GL-Rider-010-04	x1pc
5, M1.0x3.5 PB (Philip Head)	x2pcs
6, M2.0x4.0 KB	x2pcs
7, M2.0x4.0 TM	x6pcs

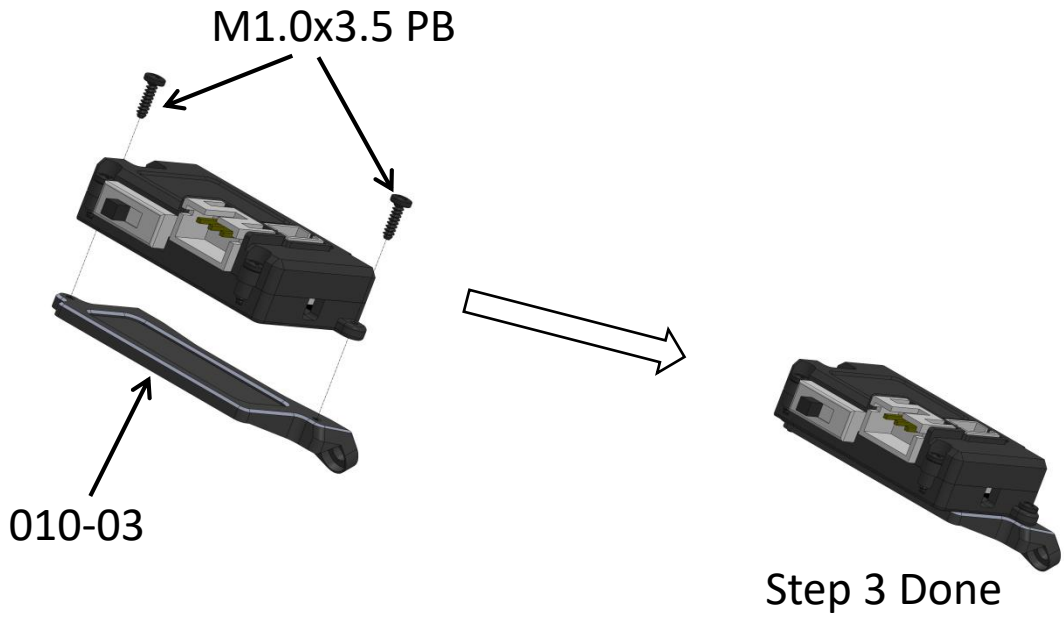
010 Step 1



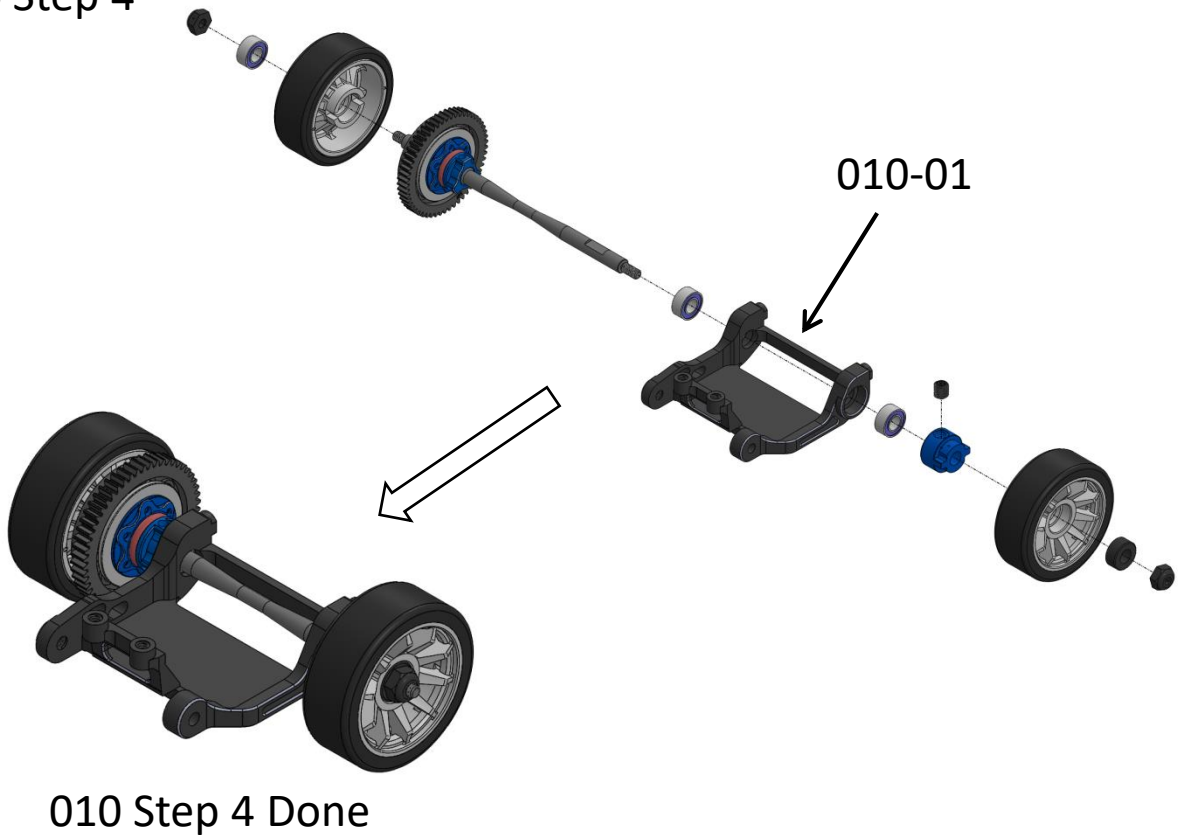
010 Step 2

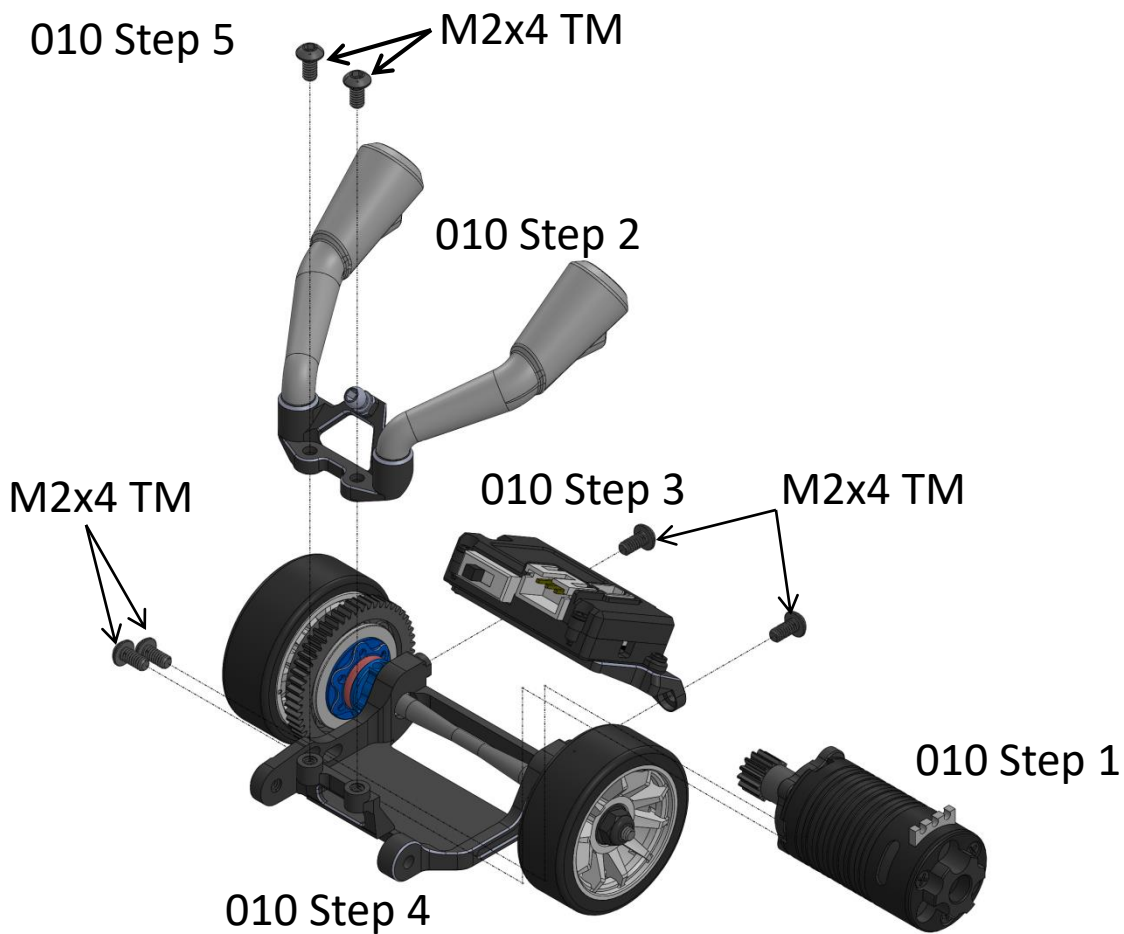


010 Step 3



010 Step 4





GL-Rider-010 Done